

CERBERO



PRESENTS:

THE NEW COPPER SULFATE GEL POTENTIAL PROBE WITH COUPON

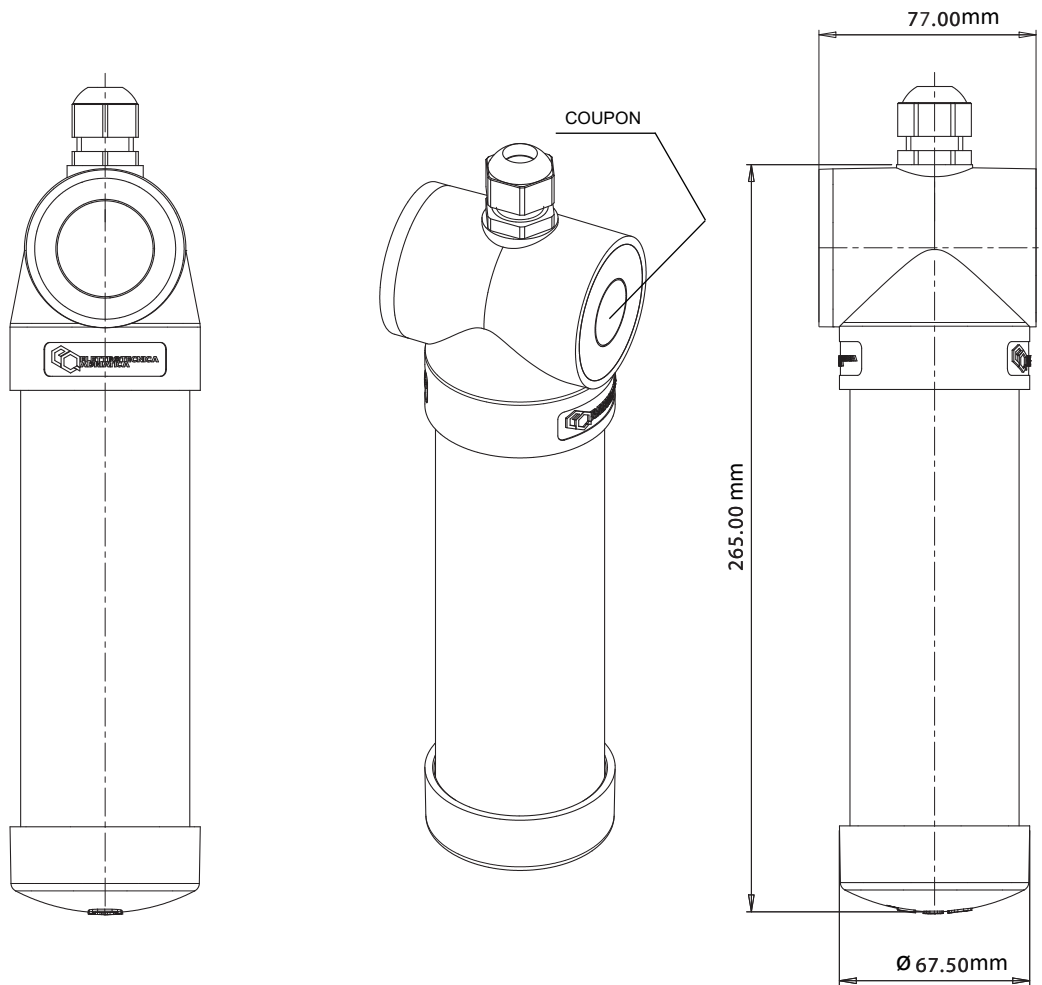
CERBERO represents the present state of technology and it's the result of E.A. S.r.l. commitment to research and development of the cathodic protection industry.

ADVANTAGES:

- POSSIBILITY OF REUSE AFTER THE FIRST INSTALLATION
- WORKS EVEN IN SOILS WITH A LOW HUMIDITY RATE
- VERY LOW ENVIRONMENTAL IMPACT



TECHNICAL FEATURES:



- ✓ **ELECTRODE:** PERMANENT ELECTRODE WITH COPPER SULFATE GEL (CSE)
- ✓ **POROUS SEPTUM:** CERAMIC MATERIAL WITH HIGH HYGROSCOPIC POWER (> 330 cm²)
- ✓ **COUPON:** MADE OF CARBON STEEL IN 1 cm², 2 cm², 5 cm² OR 10 cm² SIZE (TO BE DEFINED IN THE ORDER)
- ✓ **DISTANCE COUPON / POROUS SEPTUM:** < 4,5 cm
- ✓ **TOLERANCE vs. CSE STANDARD (+318 mV vs. SHE):** ± 20 mV
- ✓ **FREEZING POINT:** < -20°C
- ✓ **WORKS:** EVEN IN DRY SOILS WITH A LOW HUMIDITY RATE AND/OR CHLORIDE CONTAMINATIONS < 500 PPM
- ✓ **LIFE:** 20 YEARS
- ✓ **CONNECTION:** 5 m CABLE FG16OR16 Ø 2 x 2,5 mm²
- ✓ **PACKAGING:** CARTON BOX

Due to continuous studies on this product, features may change

Variations are made upon Customer request



Via Pineta Formica, 13 - 48015 CERVIA (RA) – IT
T +39 0544 971729
F +39 0544 972040
E info@elettrotecnicaadriatica.it
W elettrotecnicaadriatica.it
f [Elettrotecnica Adriatica S.r.l.](https://www.facebook.com/ElettrotecnicaAdriatica)

This dwg. is company property. Company lawfully reserves all rights.