

CERBERO



PRESENTS:

THE COPPER SULFATE GEL ELECTRODE

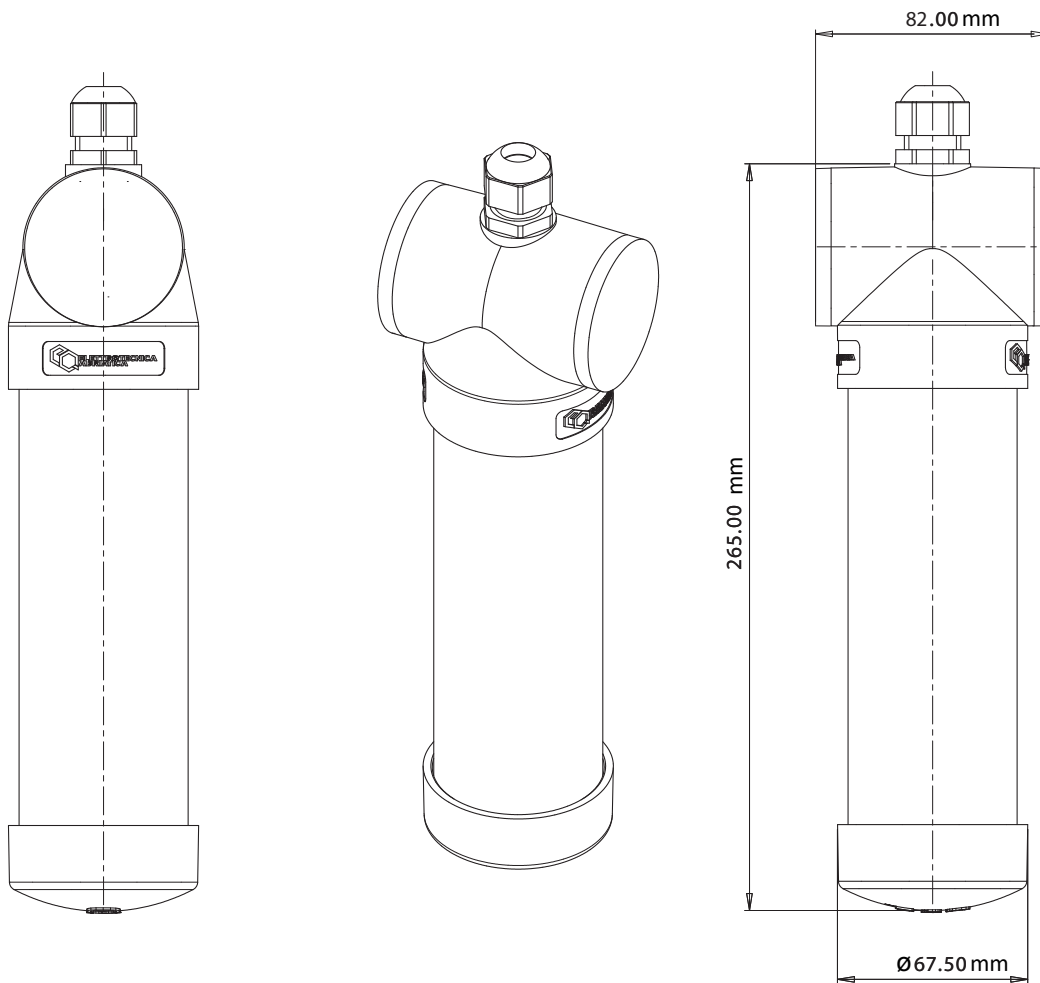
CERBERO represents the present state of technology and it's the result of E.A. S.r.l. commitment to research and development of the cathodic protection industry.

ADVANTAGES:

- POSSIBILITY OF REUSE AFTER THE FIRST INSTALLATION
- WORKS EVEN IN SOILS WITH A LOW HUMIDITY RATE
- VERY LOW ENVIRONMENTAL IMPACT



TECHNICAL FEATURES:



- ✓ **ELECTRODE:** PERMANENT ELECTRODE WITH COPPER SULFATE GEL (CSE)
- ✓ **POROUS SEPTUM:** CERAMIC MATERIAL WITH HIGH HYGROSCOPIC POWER ($> 330 \text{ cm}^2$)
- ✓ **TOLERANCE vs. CSE STANDARD (+318 mV vs. SHE):** $\pm 15 \text{ mV}$
- ✓ **FREEZING POINT:** $< -20^\circ\text{C}$
- ✓ **WORKS:** EVEN IN DRY SOILS WITH A LOW HUMIDITY RATE AND/OR CHLORIDE CONTAMINATIONS $< 500 \text{ PPM}$
- ✓ **LIFE:** 20 YEARS
- ✓ **CONNECTION:** 5 m CABLE FG16OR16 $\varnothing 1 \times 6 \text{ mm}^2$
- ✓ **PACKAGING:** CARTON BOX

Due to continuous studies on this product, features may change

Variations are made upon Customer request



Via Pineta Formica, 13 - 48015 CERVIA (RA) – IT
T +39 0544 971729
F +39 0544 972040
E info@elettrotecnicaadriatica.it
W elettrotecnicaadriatica.it
F [Elettrotecnica Adriatica S.r.l.](https://www.facebook.com/ElettrotecnicaAdriatica)